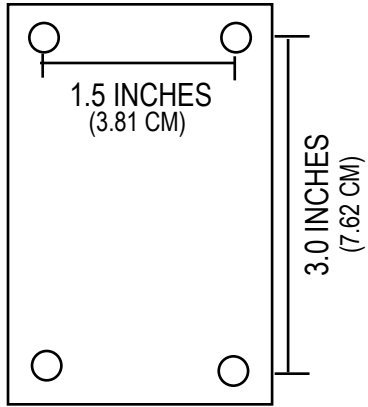


# MOBILE SWIVEL RATCHET MOUNT CAT. # 55-75

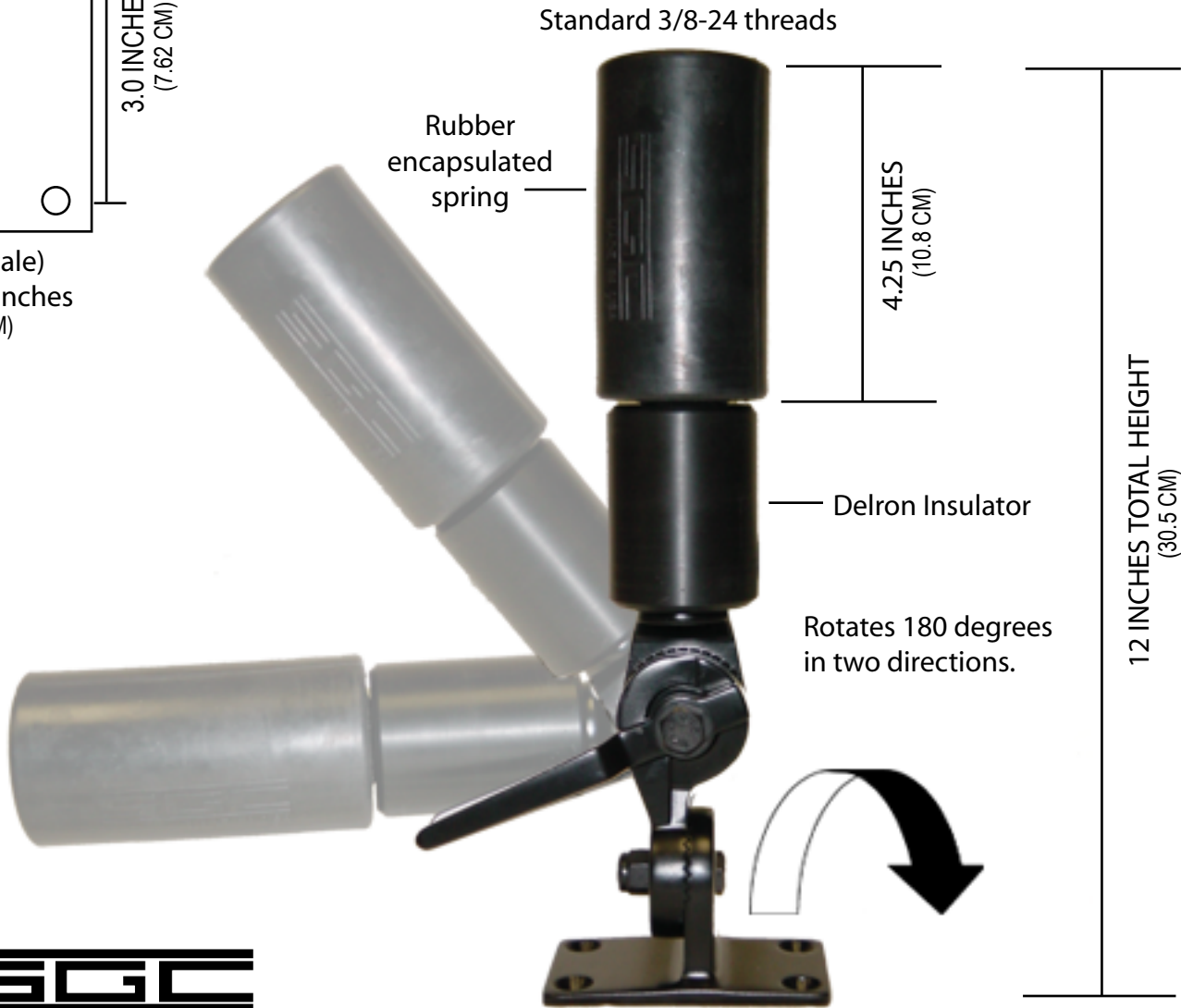
## MOUNTING PLATE



(not to scale)  
2.75 x 3.75 Inches  
(7 x 9.5 CM)

The SGC stainless steel mobile swivel ratchet mount is designed for use with any end-fed/whip antenna. The SG-303 and SG-307 models\* are highly recommended.

\*Both antennas require a coupling device, such as the Smartuner™ for operation.



## INCLUDED ACCESSORIES

36 Inch (91.44 CM) high voltage cable. (Not Pictured)



Flexible through-hole bushing



4 mounting bolts with nuts and lock washers (1/4-20)



Rubber Mounting Gasket



6 lrg. releasable tie-wraps



36 Inch 3/4 Inch wide (91.44 x 1.9 CM) tinned copper braid with 1/4-20 ring lug attached

